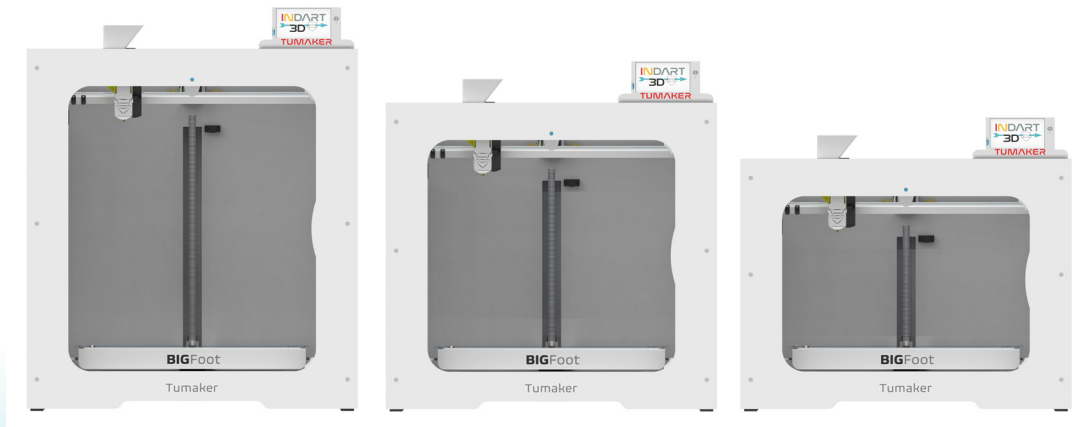




DATASHEET: Tumaker BIGFoot Pro Pellets



Printing Volume: 480x440x500 mm
 Printing Size: 750x760x810 mm
 Package Size: 870x890x1140 mm
 Printer Weight: 82 kg
 Package Weight: 140 kg

480x440x350 mm
 750x760x660 mm
 870x890x990 mm
 75kg
 120kg

480x440x200 mm
 750x760x510 mm
 870x890x840 mm
 68 kg
 100 kg



Materials: Materials in pellet format.
 Recommended size: circular with 3-5mm diameter
 Printing speed: Depends on parameters



Nozzle Diameter: 0.4 - 0.6 - 0.8 - 1.2 mm
 Nozzle temperature: 45°C - 350°C
 Two temperature control points



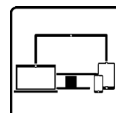
Energy Smart Management
 Power Rating: 950W
 Noise Level: 44 dB
 (closed door, 40dB)



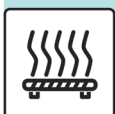
Connected to the internet
 Connectivity: USB, Wifi



Layer resolution: 10µm
 Maximum Layer Height:
 1,2 nozzle: 0,9mm
 0,8 nozzle: 0.6mm
 0,6 nozzle: 0,48mm
 0,4 nozzle: 0,3mm



Display: 5" color touch screen
 Control devices: PC, tablet,
 Smartphone
 Control mode: Web



Heated Bed: 45° - 150°C
 Build Plate Leveling
 · Semi-Automatica
 · Manual



Simplify3D Professional Software



Non operating Temperature: 5°-45°C
 Heatbed heat up time at 20°:
 40°C - 0'30" / 60°C - 1'00" /
 80°C - 1'45" / 100°C - 3'00"



1 Year Limited Warranty

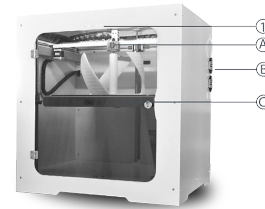
designed and assembled by



MAIN PARTS OF THE PRINTER: Tumaker BIGFoot Pellets

Ⓐ HOTEND

It moves in the X and Y axes by melting the filament of material and depositing it on the platform or heated bed. It has a nozzle that heats up to the required temperature according to the corresponding printing material.



Ⓑ EXTRUDER

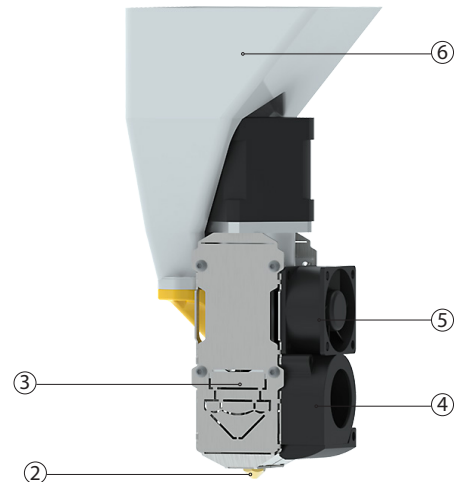
The printing happens on the surface of the platform; this one moves along the Z axis. Depending on the printing material, it must be heated to a different temperature.

Ⓒ PLATFORM OR HEATED BED

La impresión se realiza en la superficie de la plataforma mientras ésta se desplaza en el eje Z. Según el material de impresión utilizado ésta se deberá calentar a una temperatura distinta.

The distance between the platform and the nozzle has to be perfectly calibrated for optimum printing.

Ⓐ Hotend



Main parts of the printer

- | | |
|-----------|---------------|
| ① Display | ④ Layer fan |
| ② Nozzle | ⑤ Frontal fan |
| ③ Hotend | ⑥ Hopper |